



Section

Structured Media

## Structured Media System

Home Office, Home Theatre, Home Entertainment, Home Networking, Home Security, Home Technology—the definition of home is evolving. We expect more from our residences now than ever before, and a host of new words and concepts are entering our collective vocabulary to reflect that change. The wired home, once a novelty, has become essential—providing crucial access to advances such as high-speed internet, digital television and data networking. Advances that are becoming vital to functioning in the digital age.

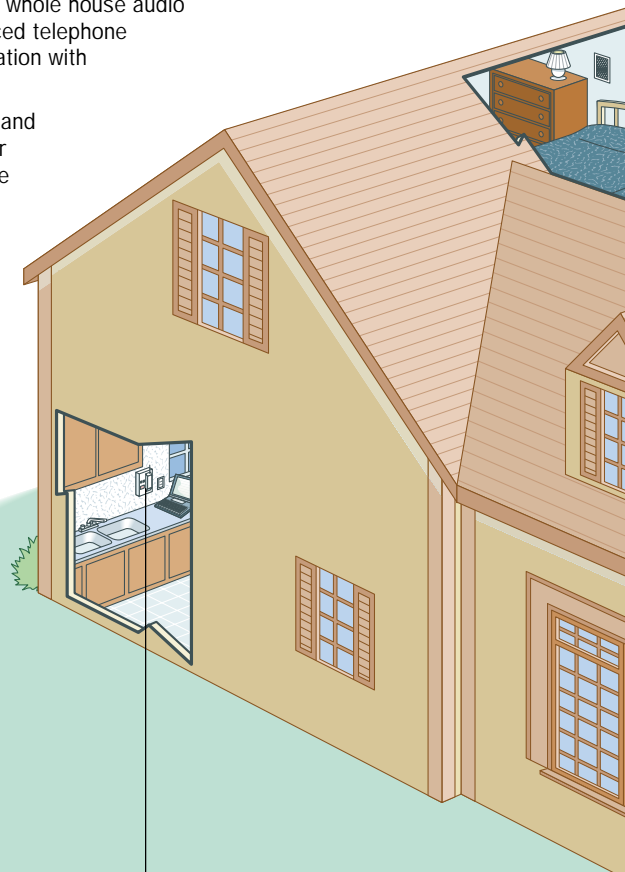
The challenge lies in creating an infrastructure that works with the systems already in a home, one that anticipates technological advances and lays the groundwork for the whole-house media system of the future. One that incorporates high-tech solutions such as category-rated cabling and components, and opens the door to future possibilities.

The answer lies in the Structured Media System from Leviton.

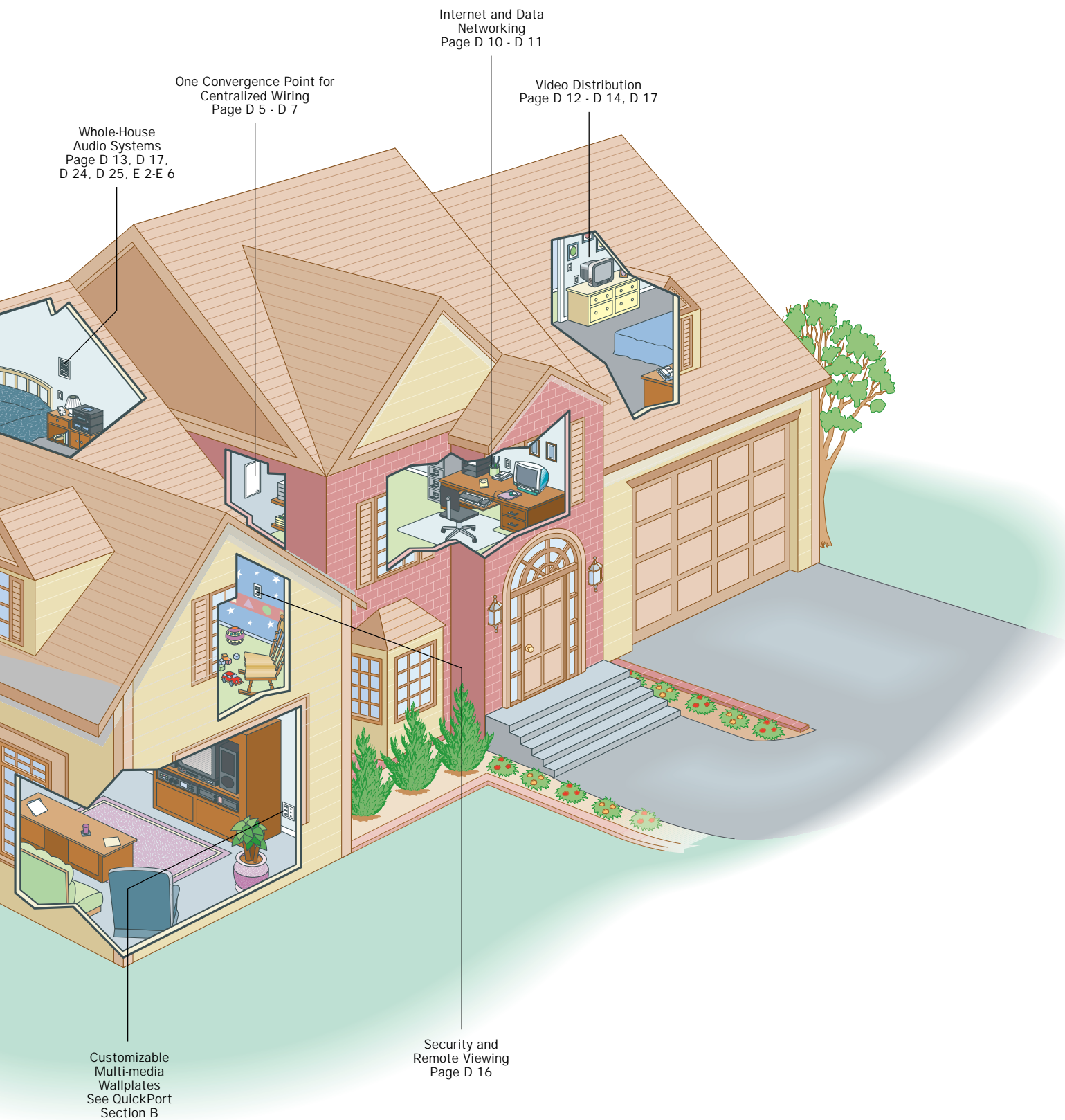
Structured Media Systems use an advanced, standards-compliant star topology to create one central convergence point in your home for all media and home electronics distribution. Simply run cables from individual rooms to one of a variety of Structured Media Centers, and use Leviton's innovative selection of modules and panels to manage and distribute audio, video, voice and data in the configuration best suited to a home's needs. Select one of the simple pre-configured panels, or create a customized set of modules to perfectly match your individual requirements.

Systems incorporate video distribution modules that support cable modems, HDTV, digital subscriber lines (DSL), digital satellite systems (DSS), whole house audio solutions, Ethernet Hubs to support high-speed PC's, advanced telephone networking systems, security cameras, and systems, integration with Home Control Systems and more.

Use Leviton's Structured Media System to manage existing and emerging technologies in your home and establish a modular infrastructure for future innovations that will not only increase your home's current value, but ensure its long-term viability. Choose Structured Media Systems from Leviton.



Plug-and-Play  
Multi-line Telephone  
Distribution  
Page D 8



## Essential Structured Media™ Platform

The fastest access from the home to the information superhighway. Leviton's Essential Structured Media Platform has everything needed to build a system today with the baseline performance to support tomorrow's home-based multimedia technologies. Leviton's Essential Structured Media Platforms are ideal for single or multi-family residences.

### FEATURES

- 9 telephone locations
- 6 coaxial video locations
- 6 Category-5 data locations (for use with a home network)
- Handles up to 4 incoming phone lines
- Category-5 compliant (when properly installed and wired)

The Basic Home Networking panel manages all incoming information and entertainment services such as telephone and cable TV. It can distribute up to four incoming phone lines to a total of nine phone jacks throughout the home. In addition, the Basic Home Networking panel has a Category 5 rated module that can, when used with an optional Ethernet hub or other networking device, network high-speed data to up to six separate data jacks—important for a home office and multiple PC's, for example. On the entertainment side, the panel's six-way precision video splitter is impedance-matched for high-quality coaxial signal distribution.

The panel, which is housed in either a Leviton 140 or 280 Structured Media center, interfaces through Leviton's acclaimed QuickPort™ snap-in wallplate design, which lets the user expand their telephone and video wallplates to accommodate existing and future needs. With the Essential Structured Media system, your home can have up to six video jacks, nine telephone jacks and six data jacks (for home office and PC networking with an optional Ethernet hub); extra video and telephone may be added by expanding the panel. With the flexible QuickPort wallplate system, you can have different wallplate combinations of jacks—phone, video and data, all in one, separate wallplates for each, or any combination of jacks—so that your connectivity can match each room's layout with the right jack always on the right wall.



## Enhanced Structured Media™ Platform

Leviton's "infrastructure solution for the convergence revolution" enables the next level of home technology performance with dual coaxial cable and Category-5 datacommunications access. As a result, it has the increased capacity needed for running a complete home office, an in-home network, or even a whole-house entertainment system. Leviton's Enhanced Structured Media Platform features an Advanced Small Office panel, which can handle four incoming telephone lines and distribute them to up to twelve telephone jacks throughout the home. In addition, the Advanced Small Office panel can, when used with an optional Ethernet hub or other networking device, support up to twelve networked data jacks—enough to support a home business or expanded home office. Note: the Advanced Small Office panel handles a mix of telephone and data connections up to a total of twelve jacks. For more jacks, additional modules are required. The panel even has an interface for connecting phone lines to a security system to help thoroughly protect the home investment.

### FEATURES

- Up to 12 telephone locations and/or 12 data locations
- 6 coaxial video locations
- Handles up to 4 incoming phone lines
- Supports home office and multimedia entertainment applications
- Options include 10 Base-T Ethernet hub for home networking
- Category-5 compliant (when properly installed and wired)

When configured with Leviton's SMC 280 or 420 enclosure, the Enhanced Structured Media Platform has enough capacity for a wide range of multimedia and networking applications. A built-in surge protected AC power block delivers clean, safe power to any active devices inside. Like the Essential Structured Media Platform, the Enhanced version's flexibility and accessibility is ensured through Leviton's renowned QuickPort wallplate design.

Leviton's Essential and Enhanced Structured Media Platforms both meet TIA-570 requirements when properly configured, installed and wired. If you are not familiar with category-compliant installation practices, consult with a local certified installation professional or call Leviton's customer service line at 1-800-323-8920.



## Series 280 and 420 Structured Media Centers - For Advanced Home Office and Home Entertainment

### FEATURES

- Multiple knock-outs on top, bottom, sides and back facilitate cable entry and routing from every desired room.
- Sturdy, one-piece white steel construction.
- Combine two or more enclosures for larger installations or future expansions.
- Holds 1/4, 1/2 and full-width expansion modules with the ability to mount most modules vertically or horizontally
- Large capacity provides multiple functionality for "wired" homes.
- Powder -coated white cover features a 3/4" overlap to hide irregular drywall cuts.
- Mounting hooks on the cover align screw-holes and reduce the chances of dropping during attachment.
- Holds a broad range of current and future distribution modules, delivering audio, video, voice, data, security, home controls and more to any room of the home or office.
- Can be surface-mounted or recessed. Ideal for new installations or retrofits.
- Designed to accommodate safe, high-quality hospital-grade power modules with surge uppression.



For more information about this sample configuration and components, see Pages D 4, D 8 - D 15.

Command central for home media convergence: Leviton's SMC-280 and SMC-420 home technology enclosures put the home or small office on the cutting edge of the Information Age. By bringing every conceivable technology distribution point together in one place, they make running cable and managing media both simple and more cost-effective. Designed to incorporate a hospital-grade power quality module for maximum protection from line surges, the 28" and 42" high units accommodate all the latest in functions such as: home networking, fax, internet, multi-line telephones, security camera, coaxial cable and satellite video distribution, speaker and volume controls and Leviton Decora Home Controls, when equipped with the correct accessories.

The Series 280 enclosure can comfortably accommodate up to 12 different Distribution Modules, depending on selection and density, and the 420 enclosure, with its generous size and capacity for up to 18 modules, can simultaneously manage many diverse functions. Perfect for home office and home entertainment. UL Listed. CSA Pending.

Series 280 and 420 Structured Media Centers	
Specifications	
Dimensions:	
SMC-280 Enclosure:	28"h x 14.38"w x 3.60"d
SMC-280 Cover:	30"h x 16.10"w
SMC-420 Enclosure:	42"h x 14.38"w x 3.60"d
SMC-420 Cover:	44"h x 16.10"w
Materials:	White, powder-coated 18 gauge steel
Standards Compliance:	UL Listed. CSA Pending.

Series 280 and 420 Structured Media Centers	
Description	Part Number
SMC-280 Enclosure and Cover, empty	47605-28W
SMC-420 Enclosure and Cover, empty	47605-42W

## Structured Media Centers

Series 140 Structured Media Center - *For Essential Home Networking*

### FEATURES

- Accommodates up to two full-width Pre-Configured Structured Cabling Panels—delivering audio/video, voice and data to any room of the home or office.
- Positive "stops" on housing sidewalls prevent the enclosure from falling through studs during installation.
- One piece white steel unit holds full and half-width expansion modules.
- Can be surface-mounted or recessed. Ideal for new installations or retrofits.
- Purchase empty or in kits with Pre-Configured Structured Cabling Panels, for easy, one-step home technology solutions.
- Mounting guides on the cover align screw-holes and reduce the chances of dropping during attachment.
- Powder-coated white cover features a 3/4" overlap to hide irregular drywall cuts.
- Combine two or more enclosures for larger installations or future expansion.
- Multiple knock-outs on top and bottom facilitate cable entry and routing.



For more information about this sample configuration and components see Pages D 4, D 8 - D 15.

This 14" professional-grade whole-house media enclosure creates one distribution point in the home for all low voltage cables. The SMC-140 is ideal for MDU's (Multiple Dwelling Units) or more modest homes requiring standard audio/video/voice and data configurations. It will accommodate two Pre-Configured Structured Cabling Panels. The sturdy design and functionality facilitate installation, reducing job-site labor costs, and making it ideal for essential home networking.

Enclosures with covers are sold separately or as part of a kit that includes the Pre-Configured Structured Cabling Panel of your choice. UL Listed. CSA Pending.

Series 140 Structured Media Center	
Specifications	
Dimensions:	
Enclosure:	14.38"h x 14.38"w x 3.60"d
Cover:	16.10"h x 16.10"w
Materials:	White, powder-coated 18 gauge steel
Standards Compliance:	UL Listed. CSA Pending

Series 140 Structured Media Center	
Description	Part Number
SMC-140 Enclosure and Cover, empty	47605-14W
SMC-140 Kit w/Basic Telephone & Video Panel*	47605-BTV
SMC-140 Kit w/Basic Home Networking Panel *	47605-BHN
SMC-140 Kit w/Advanced Home Telephone Panel*	47605-AHT
SMC-140 Kit w/ Advanced Small Office Panel *	47605-ASO

\*For more information on Pre-Configured Structured Cabling Panels, please see pages D 8 and D 9.

## Series 100 Structured Media Center - Basic Communications Platform

Leviton's economical, construction-ring-style media convergence point with two-stage installation. The Series 100 SMC is ideal for simpler configurations with a longer period of time between rough-in and trim out, such as apartments, condominiums or housing developments. The construction ring is mounted on wall studs prior to drywall, and insert and powder-coated white cover can be added anytime after the construction phase is complete. This avoids the rigors normally associated with the messy rough-in stage of building. The unit accommodates a selection of full-width modules, which provide a full range of voice, data, audio and video. Construction Rings are packaged 5 to a box. Inserts and covers are sold as part of a kit, which includes your choice of one of four Pre-Configured Structured Cabling Panels. UL Listed. CSA Pending.



### FEATURES

- Sturdy galvanized steel construction-ring and snap-in steel inserts are ideal for two-phase installations
- Purchased in kits with Pre-Configured Structured Cabling Panels for one-step home technology solutions.
- Cover features a 3/4" overlap to hide irregular drywall cuts.
- Insert features open top and bottom for unencumbered cable entry and routing.
- Holds a variety of distribution modules, include up to two Pre-Configured Structured Cabling Panels, delivering audio, video, voice and data to any room of the home or office.
- Mounting guides on the cover align screw-holes and reduce the chances of dropping during attachment.

Series 100 Structured Media Center	
Specifications	
Dimensions:	
Construction Ring:	17.60"h x 17.60"w x 3.39"d
Insert:	13.36"w x 6.25"h x 2.50"d
Cover:	16.10"h x 16.10"w
Materials:	
Insert:	18 gauge galvanized steel
Cover:	White powder-coated 18 gauge steel
Standards Compliance:	UL Listed. CSA Pending.

Series 100 Structured Media Center	
Description	Part Number
SMC-100 Empty Construction Ring (5 per unit box)	47604-CR
SMC-100 Kit w/ Basic Telephone & Video panel*	47604-BTV
SMC-100 Kit w/ Basic Home Networking panel*	47604-BHN
SMC-100 Kit w/ Advanced Home Telephone panel*	47604-AHT
SMC-100 Kit w/ Advanced Small Office panel*	47604-ASO

\*For more information on Pre-Configured Panels, please see page D 8 and D 9.

## Media Versatile™ Panel - For Custom Retrofit and Remodel

The Media Versatile™ Panel with 3/4" plywood backing features an open architecture for consolidating low voltage electronics and distribution components for phone, fax/modem, data, home networking, audio, video and home control. The 24" high cold-rolled steel panel with securable door will accommodate a wide variety of Structured Media Distribution Modules by simply removing the grommets and attaching directly to the plywood backing. The sturdy construction is built to industrial-grade standards, and the panel can be surface mounted or recessed in the wall. (Optional mounting brackets may be used for non-standard stud spacing). Ideal for custom retrofit and remodel applications. Available in black powder coat finish. UL Listed.



### FEATURES

- Two oval openings with self-healing foam accommodate cable bundles.
- Six 1" or 1.5" conduit fittings on top and bottom facilitate cable entry and routing.
- Wall-mount or recess. Ideal for new installations or retrofits.
- Securable door provides maximum protection from dust and abuse.
- Plywood backing provides open architecture for customizing layout and can accommodate a wide variety of Structured Media Distribution Modules.

Media Versatile Panel	
Specifications	
Dimensions:	24"H x 14"W x 6"D.
Materials:	Powder-coated 18 gauge steel with 3/4" plywood backing
Standards Compliance:	UL Listed.

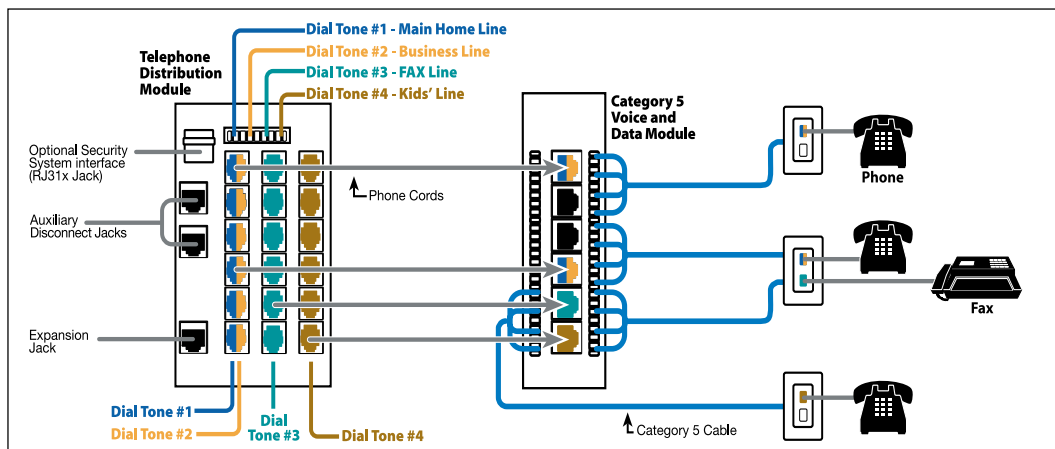
Media Versatile Panel	
Description	Part Number
Media Versatile Panel	47602-24E
Mounting Brackets (set of 4)	47602-BKE

## Pre-Configured Structured Cabling Panels



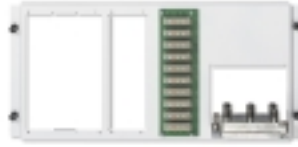
Pre-Configured Structured Cabling Panels bring a variety of our most popular distribution modules together in a series of simple, easy-mount panels. Choose the combination that best meets your needs and create a one-stop central wiring and distribution point for home and office. The units fit easily into any of Leviton's Structured Media Centers, distributing basic services for telephone and video as well as providing the required infrastructure for networking, multimedia, high-speed internet access, cable television and more. Pre-Configured Structured Cabling Panels will contain a combination of the following distribution modules:

1. Bridged Telephone Module: Used for basic telephone systems. Bridges up to four (4) telephone lines through to nine (9) outlet locations, allowing operation of up to nine (9) separate telephones per line. This printed circuit board module is constructed with ten bridged 4-pair 110-type insulation displacement connections. Suitable for phone, fax or modem. (For configuration and specs refer to Part # 47689-B, page D 10.)
2. Category 5 Voice and Data Module: Used for basic home networking including data, phone, fax or modem. May be patched (connected) to a Telephone Distribution Module, key system, or a network hub. This printed circuit board module with six Category 5 ports meets FCC Part 68 and TIA/EIA standards. (For configuration and specs refer to Part # 47605-C5B, page D 7.)
3. Telephone Distribution Module: Used for enhanced flexibility in providing home or office connections for phone, fax or modem. Distributes up to four (4) lines throughout a home or office in combinations of Lines 1 and 2 (combined), Line 3 or Line 4. Multiple Telephone Distribution Modules may be linked together to expand the system. Features standard 110-type input connector for wiring lines in from the telephone company. Connects to the Category 5 Voice and Data Module with patch cords to provide instant voice services. Modular jacks allow for easy adds/moves/changes. Includes interface jack for security/alarm panels and meets TIA/EIA 570-A standards. See below for a sample configuration.
4. Video Splitter: 6-way Video Coaxial Cable Splitter with die-cast housing and printed circuit board construction; suitable for cable TV and off-air antenna signals. (For configuration and specs refer to Part # 47690-6C, page D 14.)





## Networking Kits



**Basic Telephone and Video Unit:**  
Combines a Bridged Telephone Module and 6-way Video Splitter in a dedicated bracket for essential telephone and video distribution. Handles up to 9 telephone locations and 6 video locations. Available as a stand-alone unit, or as part of a kit with SMC-100 or SMC-140. Dimensions: 6.25"h x 13.06"w x 2.50"d



**Basic Home Networking Unit:**  
Combines a Bridged Telephone Module, Category 5 Voice & Data Module, and a 6-way Video Splitter in a dedicated bracket for essential telephone, video distribution and home networking. Handles up to 9 telephone locations, 6 data locations and 6 video locations. Available as a stand-alone unit, or as part of a kit with SMC-100 or SMC-140. Dimensions: 6.25"h x 13.06"w x 2.50"d



**Advanced Home Telephone and Video Unit:**  
Combines a Telephone Distribution Module, Category 5 Voice & Data Module, and 6-way Video Splitter in a dedicated bracket for multi-line systems with video distribution. Handles up to 6 telephone locations and/or 6 data locations, and 6 video locations. Available as a stand-alone unit, or as part of a kit with SMC-100 or SMC-140. Dimensions: 6.25"h x 13.06"w x 2.50"d



**Advanced Small Office Unit:**  
Combines a Telephone Distribution Module, two (2) Category 5 Voice & Data Modules and 6-way Video Splitter in a dedicated bracket for multi-line systems and full home networking with video distribution. Handles up to 12 telephone locations, and/or 12 data locations, and 6 video locations. Available as a stand-alone unit, or as part of a kit with SMC-100 or SMC-140. Dimensions: 6.25"h x 13.06"w x 2.50"d



**18-Port Structured Media Panel:**  
Combines a Telephone Distribution Module and three (3) Category 5 Voice & Data Modules in a dedicated bracket for multi-line systems and expanded home networking. Handles up to 18 telephone locations and/or 18 data locations. Available as a stand-alone unit only. Dimensions: 6.25"h x 13.06"w x 2.50"d



**24-Port Structured Media Panel:**  
Combines a Telephone Distribution Module, four (4) Category 5 Voice & Data Modules in a dedicated bracket for multi-line systems and expanded home networking. Handles up to 24 telephone locations and/or 24 data locations. Available as a stand-alone unit only. Dimensions: 6.25"h x 13.06"w x 2.50"d

**Category 5 Voice & Data Expansion Module:**  
Extra Category 5 Voice & Data Module, without brackets, used to expand or upgrade Preconfigured Structured Media Panels.

**1x9 Bridged Telephone Expansion Module:**  
Extra 1x9 Bridged Telephone Module, without brackets, used to expand or upgrade Preconfigured Structured Media Panels.

Networking Kits	
Specifications	
A. Basic Telephone and Video Unit (BTV)	47603-BTV
in Kit with SMC 100 Insert and Cover	47604-BTV
in Kit with SMC 140 and Cover	47605-BTV
B. Basic Home Networking Unit (BHN)	47603-BHN
in Kit with SMC 100 Insert and Cover	47604-BHN
in Kit with SMC 140 and Cover	47605-BHN
C. Advanced Home Telephone & Video Unit (AHT)	47603-AHT
in Kit with SMC 100 Insert and Cover	47604-AHT
in Kit with SMC 140 and Cover	47605-AHT
D. Advanced Small Office Unit (ASO)	47603-ASO
in Kit with SMC 100 Insert and Cover	47604-ASO
in Kit with SMC 140 and Cover	47605-ASO
E. 18-Port Structured Media Panel	47603-18P
F. 24-Port Structured Media Panel	47603-24P
Category 5 Voice and Data Expansion Module	
Boxed unit pack, rack pack carton	47603-C5
1x9 Bridged Telephone Expansion Module	
Boxed unit pack, rack pack carton	47603-110

See page D 10 for more information on the Category 5 Voice & Data Expansion Module (47603-C5) and the 1x9 Bridged Telephone Expansion Module (47603-110)

## Voice and Data

### Category 5 Voice and Data Module

Use unshielded, twisted-pair (UTP) cable to dynamically route data, phone, fax or modem signals. Connect with patch cords to the Decora Media System Hub, the Telephone Distribution Module included in Leviton's Pre-Configured Structured Cabling Panels, a key system or a network hub. This printed circuit board module with six Category 5 ports meets FCC Part 68 and TIA/EIA standards.

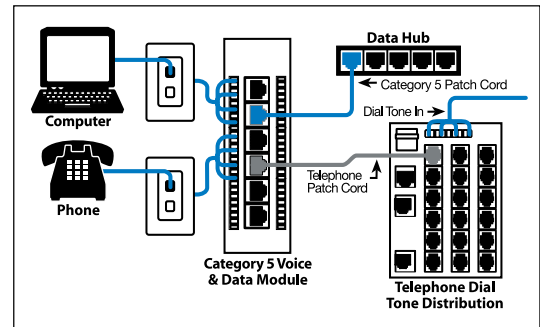


#### FEATURES

- Use Category 5 patch cords to link to media distribution modules and data hubs. Use phone cords to link to telephone distribution modules.
- Use high-speed unshielded, twisted-pair cable to route data, phone, fax or modem signals.
- Printed circuit board with six Category 5 ports.

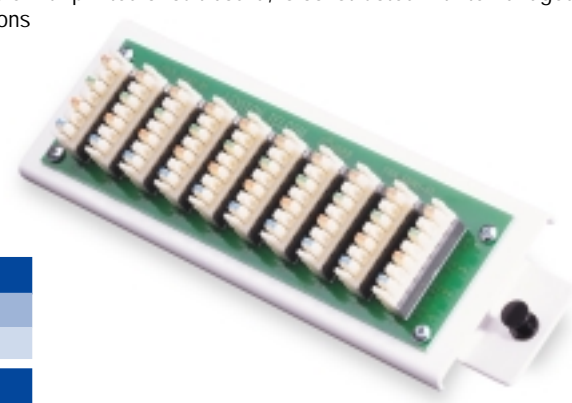
Category 5 Voice and Data Module Specifications	
Dimensions:	2.24"h x 6.57"w x 1.96"d
Category 5 Voice and Data Module Description	
Description	Part Number
Category 5 Voice & Data Module 6-Port, with bracket Individual boxed unit pack	47605-C5B
Category 5 Voice & Data Module 6-Port without bracket Individual boxed unit pack, rack pack carton	47605-C5

For a listing of Category 5 patch cords see page D 26.



### 1x9 Bridged Telephone Module

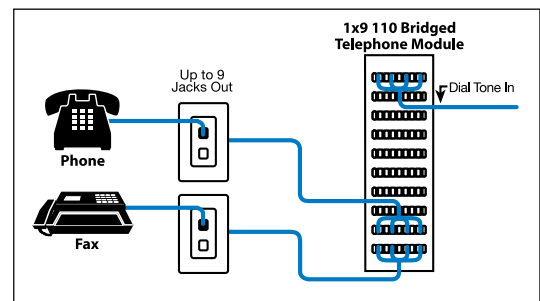
Bridge up to four telephone lines through to nine outlets locations, and operate up to nine separate telephones from this easy-to-use 110 style module. The module with printed circuit board, is constructed with ten bridged 4-pair 110 type insulation displacement connections and is suitable for phone, fax or modem.



#### FEATURES

- Operates up to nine separate telephones with four separate telco lines.
- Printed circuit board with ten bridged 4-pair 110 type insulation displacement connectors.
- Suitable for phone, fax or modem.

1x9 Bridged Telephone Module Specifications	
Dimensions:	2.24"h x 6.57"w x 1.82"d
1x9 Bridged Telephone Module Description	
Description	Part Number
1x9 Bridged Telephone Module with bracket	47689-B
1x9 Bridged Telephone Module without bracket Individual boxed unit pack, rack pack carton	47603-110



## 10Base-T Network Hub

Share data and peripheral devices, such as printers, among many computers in remote locations with this professional-grade 10Base-T Network Hub. Just run cable from your desired locations to a Category 5 Voice and Data Module (either a stand-alone module page D 10, or one of the units in the Pre-Configured Structured Cabling Panels pages D 8 - D 9). From there, Category 5 patch cords can be used to connect the Data Hub to the Category 5 Module. Instantly, your remote locations will be able to communicate. That means a computer in the kitchen can print to the home office printer, and a computer in the home office can retrieve information from the one in the bedroom, all without moving an inch.

The Hub is IEEE 802.3, 10BASE-T compliant (10 Mbps) and features a broad range of features to ensure data integrity, as well as LED lights to indicate Power, Link/Receive, Partition and Collision status.

Up to four Hubs can be cascaded to provide a maximum of 14 network stations to be connected.



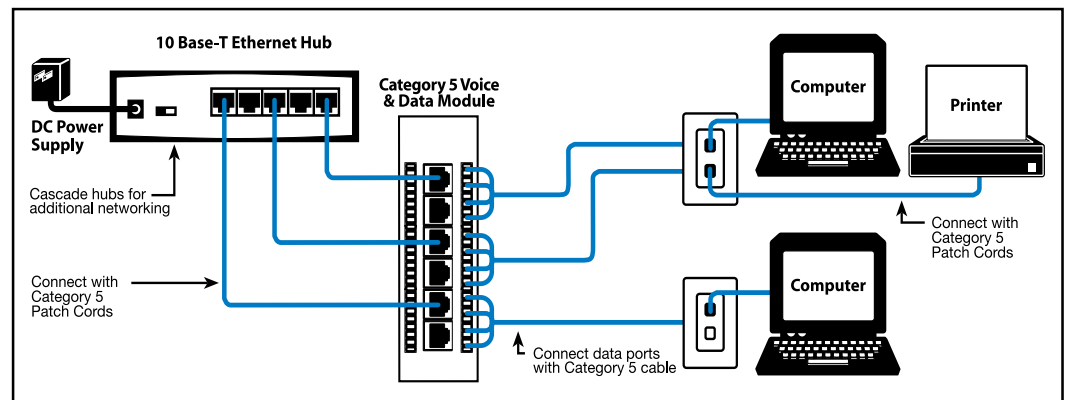
### FEATURES

- Connect to a Category 5 Voice/Data module with Category 5 Patch Cords and network devices in remote rooms, such as computers and printers.
- Data collision and jabber handling functions.
- IEEE 802.3, 10Base-T compliant unit delivers high-speed networking.
- 5 RJ-45 ports support up to five 10Base-T connections.
- NORMAL/UPLINK switch allows up to four hubs to be cascaded, for a total of up to 14 network connections.
- Polarity auto-detection and auto connection for ports ensures smoother flow and greater integrity of data.
- Features LEDs to indicate network activity, including Link/Receive, Power On, Partition and Collision statuses.
- Auto partitions and reconnects ports to facilitate faulty segment isolation.

10Base-T Network Hub	
Specifications	
Data Transfer Rate:	10Mbps
Connectors:	5 10BaseT ports, 1 10BaseT uplink port, 1 AC power adapter jack
Cabling Requirements:	Standard UTP/10BaseT with modular RJ-45 tips, 22 to 26 AWG in multiple pairs
LED Indicators:	Five link/activity LED's plus one power and collision
Power Supply:	7.5VDC, 750mA
Dimensions/Weight:	2.5" x 6.6" x 12.5" / 6oz.
Standards Compliance:	FCC Certified, IEEE 802.3 Ethernet

10Base-T Network Hub	
Description	Part Number
10Base-T Network Hub, with Power Adapter	47605-EH

For a listing of Category 5 Patch Cords, See Page D 21.

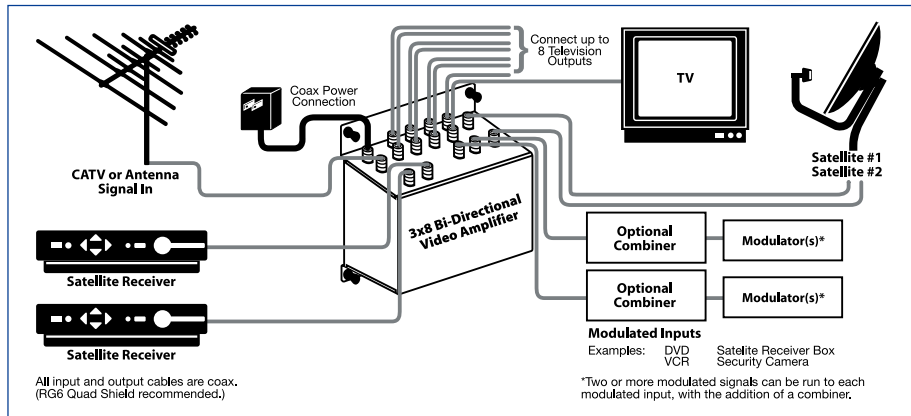
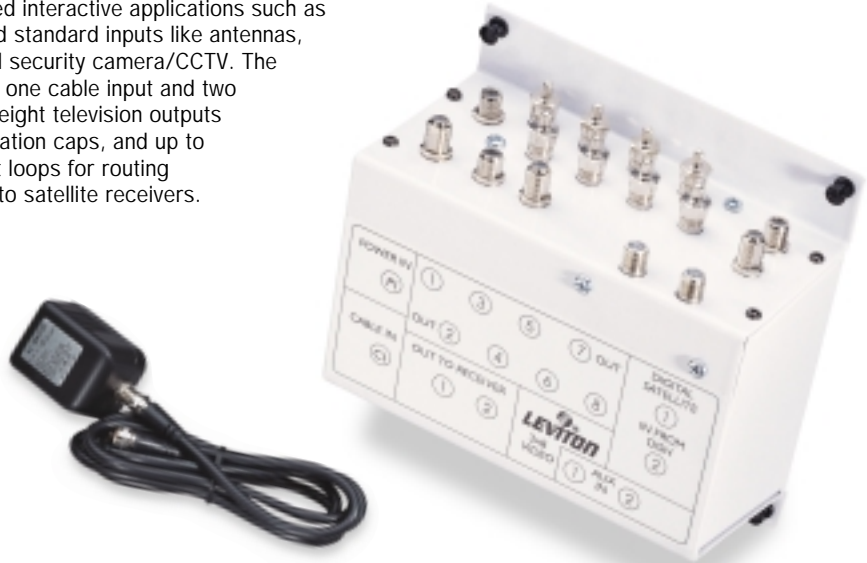


## FEATURES

- 8 television outputs run video signals, via coaxial cable, to any room of the home or office.
- Two-way signalling supports advanced, interactive applications such as digital cable.
- Incoming cable signal is amplified to improve quality and provide unity gain for distribution.
- Loop satellite signals through the unit to connect incoming service with up to two remote receivers.
- Distribute cable TV, digital cable, antenna, VCR, DVD, security camera/CCTV and more.

## 3x8 Bi-Directional Video Amplifier

Run incoming video services and coaxial cable to this versatile video module. It will amplify incoming signals for picture-perfect reception, and distribute a variety of audio/video signals throughout the home or office. Incorporates state-of-the-art bi-directional signalling to support advanced interactive applications such as digital cable, and standard inputs like antennas, VCRs, DVD, and security camera/CCTV. The module features one cable input and two auxiliary inputs, eight television outputs with 75Ω termination caps, and up to two input/output loops for routing satellite signals to satellite receivers.



### 3x8 Bi-Directional Video Amplifier

#### Specifications

Gain (Reverse) dB:	8.5 @ 5 MHz - 42 MHz, 20 @ 54 MHz - 1 GHz			
Impedance:	75 Ohm			
Connector Type:	'F'			
Bandwidth :	50 MHz – 1 GHz			
	<u>5 - 50 MHz</u>	<u>50 - 500MHz</u>	<u>500 - 750MHz</u>	<u>750 - 1000MHz</u>
Insertion Loss:	8.7dB	8.8dB	9.0dB	12.0dB,
Isolation:	28dB	30dB	27dB	25dB
Return Loss:	18dB	20dB	19dB	18dB
Noise Figure:	7 dB max			
Flatness Passband:	+/- 1.5 dB			
Dist. X-Mod:	-70 dB			
CTB:	-60 dB			
Max Output:	25 dBm			
Power Input:	12 VDC			
Dimensions:	6.58" x 6.57" x 3.28"			
Standards Compliance:	UL Listed			

### 3x8 Bi-Directional Video Amplifier

Description	Part Number
3x8 Bi-Directional Video Amplifier	47690-38B

## 3x8 Video Service Module

Use this powerful video service module to receive and amplify incoming services with 0 dB loss, split signals and route video via coaxial cable to up to 8 televisions. Will combine cable TV input with signals from any two modulated inputs, including: satellite receivers, VCRs, DVD and security cameras/CCTV. Infrared (IR) compatible with the proper transmitters and receivers.

### FEATURES

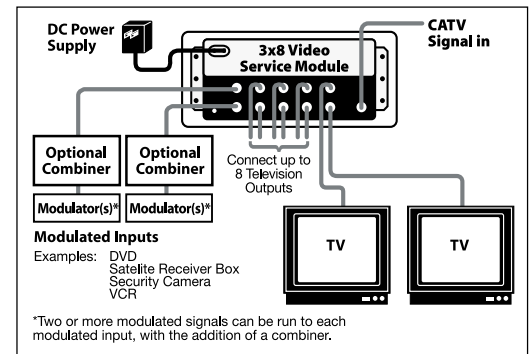
- Sends video to up to 8 televisions via coaxial cable, in lengths up to 150 feet. Combined hubs provide service to up to 64 TVs.
- Amplifies incoming signals, providing 0 dB loss and significantly improving signal reception.
- Optional remote power feature uses a wallplate input (PN# 47621-W) to power the unit from the destination point.
- 1 cable TV input and 2 auxiliary signal inputs support cable, satellite, VCR, DVD, security cameras and more.



3x8 Video Service Module Specifications	
Gain:	
Antenna/CATV port to output:	0dB
Modulator input to output:	-10dB
Antenna Isolation Modulator input to CATV/ANT:	80dB
Modulator Input:	25dBm(85dBuV)
Bandwidth:	5-806mHZ
Max. CATV/Antenna Input	20 dBm

3x8 Video Service Module Description	
Description	Part Number
3x8 Video Service Module with bracket	47608-B
3x8 Video Service Module without bracket	47608-A



## 1x6 Passive Audio Module

Simplify your audio system by controlling up to six pairs of speakers from an entertainment center or amplifier. Just run speaker wire to this passive splitter, and fill multiple rooms with high-quality music or sound. Supports up to six pairs of speakers. Ideal for multi-room sound systems. Note: to ensure a correct impedance match with your amplifier, only use the passive audio module with impedance matched volume controls or a system matching device.

### FEATURES

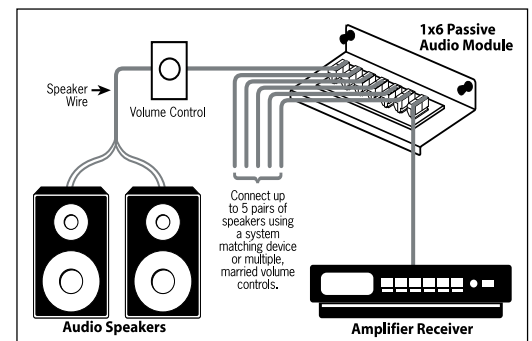
- Supports up to six pairs of speakers.
- Combine with Decora Volume Controls to control up to six pairs of speakers from one amplifier or receiver.
- Parallel connection scheme insures the best sound quality.
- User-removable connectors facilitate installation.
- Connects with standard speaker wire.



1x6 Passive Audio Module Specifications	
Wire Gauge	18-14 AWG
Dimensions:	6.58 x 2.89 x 1.42
Requirements:	Product should be used with impedance-matched volume controls or controller.

1x6 Passive Audio Module Description	
Description	Part Number
1x6 Passive Audio Module	48211-6A



## Video Amplifier

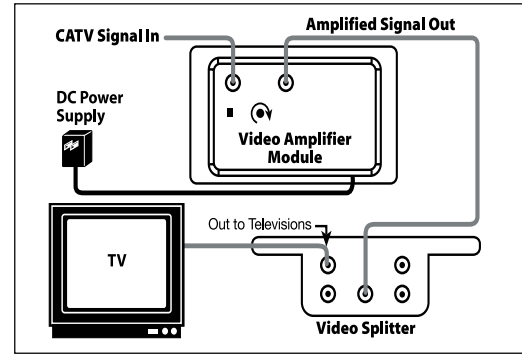
Run cable TV and other video service signals through this Video Amplifier Module and boost video signal strength to performance levels of up to 25 dB. Features a variable attenuator for a precise amount of signal amplification, and an FM trap to eliminate unwanted FM interference.



### FEATURES

- Variable attenuator enables precise amplification for the clearest signal possible.
- Run cable TV or other video signals through the Video Amplifier before splitting and distributing throughout the home or office.
- Boost signal strength by up to 25 dB.

Video Amplifier	
Specifications	
Frequency Range Mhz:	VHF: 50-450, UHF: 470-860
Gain (dB)	40 Mhz: 23.8, 54 Mhz:27, 210Mhz: 29, 860 Mhz:27
Noise Figure:	VHF: 6, UHF: 6.5
Response Flatness:	VHF: 2, UHF: 3
Gain Control dB	VHF: 10dB, UHF: 10dB
FM Trap dB	20
Impedance:	75 Ohm
Connector Type:	'F'
Power Source:	12-15 VDC 500 mA
Dimensions:	6.58" x 3.67" x 4.4"
Video Amplifier	
Description	Part Number
Video Amplifier Module	48210-VA

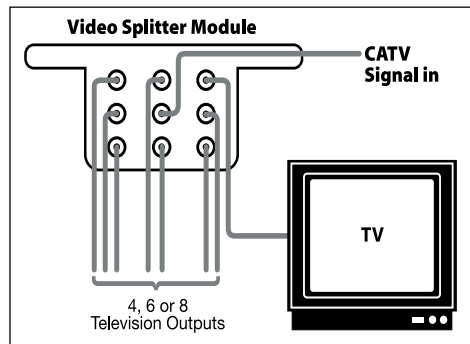


## 1x4, 1x6, 1x8 Coaxial Cable Distribution Modules

Use 4-, 6- and 8-way Coaxial Cable Distribution Modules to split or combine quality cable TV and off-air antenna signals to 4, 6, or 8 televisions throughout the home or office. Die-cast housing and printed circuit board construction. Use with the Video Amplifier (above) for increased signal amplification and quality.

### FEATURES

- Splits or combines video signals. Outputs for up to 4, 6 or 8 televisions.
- Provide cable TV and other video services, via coaxial cable, to any room in the house
- Die-cast housing and printed circuit board.
- Combine with the Video Amplifier (above) for increased signal quality.



1x4, 1x6, 1x8 Coaxial Cable Distribution Modules									
Specifications	Insertion Loss (dB):			Return Loss (dB):			Isolation(dB):		
	1x4	1x6	1x8	1x4	1x6	1x8	1x4	1x6	1x8
5 Mhz	-6.6	-8.9	-10	-21	-24	-23	-80	-55	-76
100Mhz	-6.6	-8.7	-9.9	-19	-23	-23	-57	-50	-54
300Mhz	-6.6	-8.8	-8.8	-20	-34	-28	-53	-41	-44
800Mhz	-6.8	-9.4	-10	-19	-20	-21	-43	-42	-39
1000Mhz	-7.3	-10	-11	-16	-29	-16	-36	-26	-34
Dimensions :	1x4 6.58" x 2.14" x 1.4"			1x6 6.58" x 3.0" x 1.4"			1x8 6.58" x 3.0" x 1.4"		

1x4, 1x6, 1x8 Coaxial Cable Distribution Modules	
Description	Part Number
1x4 Passive Video Splitter Module	47690-4C
1x6 Passive Video Splitter Module	47690-6C
1x8 Passive Video Splitter Module	47690-8C

## Power

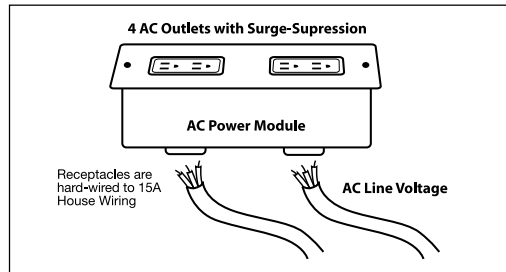
### AC Power Block

Add both power and security to the Series 280 or 420 Structured Media System. This hospital-grade, AC Power Block with surge suppression will provide power to the distribution modules and incorporate multi-stage protection from power surges. Designed to be used alone or as part of a whole house surge-protection network. In extremely excessive surge conditions an alarm will sound to warn the user that power is now unprotected. Consists of two 15 Amp hospital-grade outlets housed in a painted steel enclosure. Features EMI/RFI filtering and meets UL 1449 standards.



#### FEATURES

- Hospital grade surge suppressor provides greater protection for low-voltage modules.
- Safety clips protect outlets against dust, dirt and debris.
- Two cable knock-outs on bottom for power service connections.
- Incorporates two 15 Amp Outlets.



AC Power Block Specifications	
Input:	120VAC, 2 @ 15 A
Dimensions:	10" x 2.8" x 2.3"
Standards Compliance:	UL 1449

AC Power Block	
Description	Part Number
AC Power Module	47605-DP

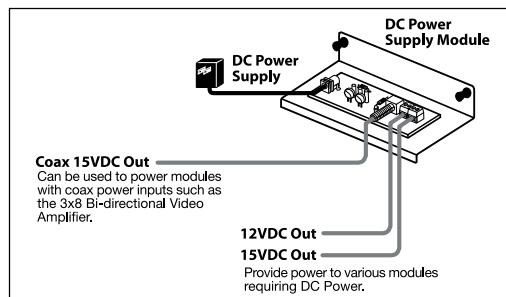
### DC Power Supply Module

Provide DC Power to multiple modules within a Structured Media Center without filling up valuable space with multiple transformers. Simply plug into a standard 110VAC outlet and wire DC components directly to the outputs. The board can supply up to 1000 mA (1 amp) of 12 VDC and 15VDC power combined. Both circuits feature an automatic reset fuse in case of overload.



#### FEATURES

- Single DC power convergence point eliminates the need for a series of bulky DC transformers.
- Automatic reset fuse for both circuits activates within a few minutes of overload.
- Plug into a standard 110VAC outlet and wire components directly to the module.
- Supplies up to 1000 mA (1 amp) of 12 VDC and 15VDC combined power.



DC Power Supply Module Specifications	
Input:	15-18VDC
Output:	15-18VDC, 1000mA
	Terminal or F-connector
Dimensions:	6.58" h x 2.89" w x 1.42" d

DC Power Supply Module	
Description	Part Number
DC Power Supply Module	48212-DC

## Security

### Decora® Camera

A high-tech addition to the attractive Decora family, the Decora Camera provides high-quality audio and color video output that will run through the Structured Media Center and connect to a receiver anywhere in the home or office—instantly turning a home media center into a home security center.

Combining the Decora Camera with the Leviton Media Hub and receiving units (page D 24) can route its signal not only to a dedicated monitor, but also to an auxiliary RCA input on a television, allowing one to observe remote areas of a home or check on a sleeping child instantly by simply switching to that secondary input.

The Decora Camera produces clear and reliable CMOS-based video with a wide angle lens that eliminates the need for constant re-adjustment. It features a self-contained video differential amp for increased clarity of signal. A manual horizontal pan feature allows you to easily adjust the lens, and power is indicated with a green LED indicator on the front of the faceplate.

The Decora Camera has an RCA output and a terminal block output. An RCA/F adapter is provided for optional use with coaxial cable. A DC power supply is also furnished.

#### FEATURES

- Self-contained video differential amp provide increased clarity of signal.
- CMOS-based wide angle color video camera in one compact Decora-style unit.
- Features both RCA and terminal block output connections.
- Power is indicated by a green LED on faceplate.
- Standard DC Power jack.



#### Decora® Camera

##### Specifications

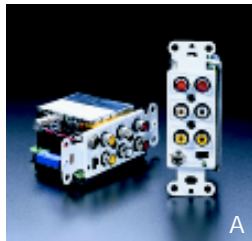
Dimensions:	4.1" h x 1.4" w x 2.2" d
Power:	12-16VDC 55mA typical 70mA max; green Power On LED
Connection:	One RCA jack and one connecting block
Camera:	CMOS imager: 1/3" 310 TV lines, NTSC with S/N ratio 38 dB min. Minimum illumination 10 lux. Lens is 3.5mm with swivel mount, adjustable focus. Output electronically balanced.
Transmission Bandwidth:	50 M Hz @-3 dB
Transmission Total	
Harmonic Distortion:	-75 dBc
Transmission Slow Rate:	800 V/us

#### Decora® Camera

Description	Part Number
Decora Camera	48213-*DC

\*Colors: (I) Ivory, (W) White, (A) Almond





## In-Wall Modulator

The in-wall modulator broadcasts audio/video signals to multiple televisions from virtually any source (e.g. VCR, DVD, security camera, satellite receiver) on one unused cable channel. The "frequency agile" modulator allows the selected broadcast channel to be programmed via slide switches. The modulators provide 25 dBm or RF output and switchable 75 Ohm loop-through capability which can be used as a monitor input to home theater systems. The modulator outputs on any UHF channel between 14 and 35 or CATV channel between 54 and 86. NOTE: modulator broadcasts mono audio only.

In-Wall Modulator	
Description	Part Number
(A) In-wall modulator	47614-W



## Power Injector Infrared Repeater Interface

Power injector infrared repeater interface powers the infrared target and emitter through the video distribution cable system. The injector repeater transmits both infrared and DC signals to the Video Service Module (47608-A) and sends only infrared signals to the In-Wall Modulator (47614-W). The injector repeater allows infrared components and accessories to transmit and receive the infrared signals through the same coaxial cable used to distribute audio and video signals.

Power Injector Infrared Repeater Interface	
Description	Part Number
(B) Power injector infrared repeater interface	47621-W



## Multi-Room Video Distribution Unit

The Multi-Room Video Distribution Unit converts two local audio/video sources (VCR, security camera, satellite receiver, DVD, etc.) to two different channels, combines with the cable TV service or off-air TV antenna, then distributes those signals on the coaxial cabling to up to five different TVs. Two built-in modulators can be programmed by push-button switches. Connections for infrared emitters are also included. Note: modulator broadcasts mono audio only.

The Infrared Target (47633-T) can be connected to the TVs in other rooms to remotely operate the two modulated audio/video sources at any time. By aiming the infrared remote control directly at the infrared target, the infrared information from the remote control is instantly transmitted through the Distribution Unit and repeated by the Infrared Emitter (47673-E).

Multi-Room Video Distribution Unit	
Description	Part Number
(C) Multi-Room Video Distribution Unit	47624-A



## Infrared Target

Infrared remote target with coaxial input/output. Includes adhesive pads to optionally affix target. Dimensions: .88" H x 3.25" W x 2" D.

Infrared Target	
Description	Part Number
(D) Infrared Target	47633-T



## Infrared Emitter

Infrared emitter has 3.5 mm plug on one end and adhesive-backed emitter on the other end. Plugs into either the Power Injector Repeater Interface (47621-W) or the Multi-Room Video Distribution unit (47624-A). 6-foot cord included.

Infrared Emitter	
Description	Part Number
(E) Infrared Emitter	47673-E

## Custom Installation Products

Leviton's cable distribution products for residential and small office environments feature several excellent options for multimedia, 110 and 66-clip connectivity. The QuickPort® Multimedia Patch Block and 12-Port Category 5 Patch Block are ideal for small-scale network installations or additions, using twisted pair cabling where a wall-mounted or low-profile solution is required. Voice and low-speed data applications such as networks, fax machines, intercom systems and PBXs can be connected with Leviton's high-density M blocks—a well known standard for contractors and telecom professionals. Two types of patch panels are available: pre-configured Category 5 patch panels with 12 or 24 Category 5 connectors to meet the needs of high-speed data applications, or empty QuickPort® patch panels which can be configured on-site with 24 or 48 QuickPort snap-in modules (sold separately) for those high-media-density installations.

### Patch Blocks and Panels

When a distribution panel enclosure doesn't provide the space or wire management necessary to support a wiring consolidation point, Leviton patch blocks can provide a customized cabling solution. Installers can lay out the products of their choice on a wall or plywood base (backboard) to build the exact configuration to meet their needs. All patch blocks fit into a standard "89D footprint" to facilitate space planning.

### QuickPort® 12-Port Multimedia Patch Block

The QuickPort Multimedia Patch Block consolidates different types of connections in a single, space-saving block. It can be field-configured with QuickPort snap-in modules to support a full range of low-voltage voice and data applications, and Category 5 and eXtreme applications. Provides custom-configurable cross-connects with all the performance of higher density products.

Snap-in module retention plates are accessible from the front side to simplify connector and cable administration. This patch block also comes with an 89D mounting bracket and port identification strips. Patch block is UL listed.

QuickPort® 12-Port Multimedia Patch Block	
Description	Part Number
(A) QuickPort 12-port multimedia patch block	47689-QP

### 12-Port Category 5 Patch Block

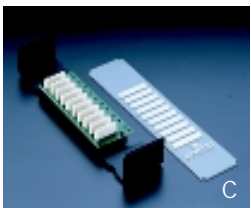
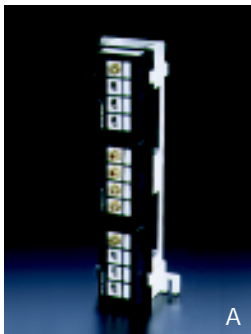
For smaller, wall-mount installations, this 12-port patch block is the ideal low-profile solution. Pre-configured with twelve Category 5 connectors, the block comes complete with a mounting bracket and white write-on areas silkscreened beside the connectors to help identify port assignments. The patch blocks are UL Listed and fully comply with FCC Part 68 and TIA/EIA-568-A Category 5. Dimensions: 10.0" H x 2.375" W.

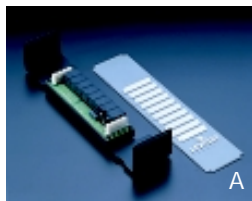
12-Port Category 5 Power Sum Patch Blocks		
Description	Configuration	Part Number
(B) 12-port Category 5 Patch Block	T568B	59484-B89
(includes mounting bracket)	T568A	59485-A89

### Patch Block with Bridged 110 Connectors

Uses the Bridged Telephone Module mounted to a rugged bracket. Ten bridged Type 110 connectors each terminate up to four twisted pairs. The first 110 connector is terminated to the demarcation point or signal source. The next eight connectors are terminated to the various modular jack locations around the home or office using twisted pair wire. The last 110 connector can be used for terminating to another bridging module, or can be wired to a ninth modular jack location. This patch block includes a snap-on cover to protect wires from dust, dirt and potential damage. Dimensions: 10"H x 2.3"W x 1.45"D (approx.).

Patch Block with Bridged 110 Connectors	
Description	Part Number
(C) Patch block with bridged 110 connectors	47689-110

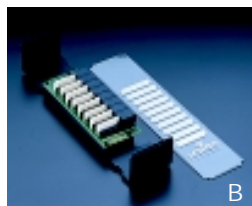




## Patch Block with Bridged Modular Jacks

Eight bridged 8-conductor modular jacks and two Type-110 connectors terminate up to four twisted pairs. The first 110 connector, which is bridged to the eight modular jacks, is used to make the connection to the demarcation point or signal source. Each modular jack is cross-connected to a patch block or patching module using Category 5 patch cords. The second 110 connector can be used for terminating to another bridging module. A slide switch allows optional connection to an alarm panel or intercom. This patch block includes a snap-on cover to protect wires from dust, dirt and potential damage. Dimensions: 10"H x 2.3"W x 1.45"D (approx.).

Patch Block with Bridged Modular Jacks	
Description	Part Number
(A) Patch block with bridged modular jacks	47689-B8



## Patch Block with Unbridged Patching Module

Eight 8-conductor modular jacks are each individually connected to a Type-110 connector. The 110 connectors are terminated to the various modular jack locations around the home or office using twisted pair wire. Category 5 patch cords are then used for cross-connecting to bridging modules or other equipment. This patch block includes a snap-on cover to protect wires from dust, dirt and potential damage. Dimensions: 10"H x 2.3"W x 1.45"D (approx.).

Patch Block with Unbridged Patching Module	
Description	Part Number
(B) Patch Block with Unbridged Patching Module	47689-N8



## QuickPort® Patch Panels

QuickPort patch panels can be field-configured with any QuickPort snap-in modules to maximize versatility, appearance, and ease of installation and upgrades. Choose from a 24-port or 48-port high-density panel for small- or large-scale network installations. Both panel versions also include a rear wire management bar. They are UL Listed and CSA Listed. Port identification kits are sold separately.

QuickPort® Patch Panels	
Description	Part Number
(C) High Density 24-Port Patch Panel w/Wire Management Bar (1.75"H x 19"W) Order 1 Port identification kit	49255-H24 49257-I24
(D) High Density 48-Port Patch Panel w/Wire Management Bar (3.5"H x 19"W) Order 2 Port identification kits	49255-H48 49257-I24

## 24-Port Category 5 Patch Panels

The 24-port Category 5 patch panel is pre-configured with Category 5 connectors. White write-on areas are silkscreened beside the connectors for ease of identification. The panels mount in standard 19" EIA equipment racks and accommodate top, bottom or side cable entry. The panels are UL Listed; meet National Electrical Code requirements and specifications for UL 1863; and fully comply with FCC Part 68 and TIA/EIA-568-A Category 5.

24-Port Category 5 Power Sum Patch Panels		
Description	Configuration	Part Number
24-port Patch Panel (1.75" H x 19.0" W)	T568B	59484-B24
	T568A	59485-A24
12-port Patch Panel (1.75" H x 19.0" W)	T568B	59484-B12
	T568A	59485-A12



## Hinged Wall Mount Brackets

Use these brackets to mount patch panels and cable management without the use of a rack. Compatible with Category 5 patch panels and QuickPort® patch panels.

Hinged Wall Mount Brackets	
Description	Part Number
(F) 2-position (3.5" H, 6.0" D) hinged wall mount bracket	49251-W62
3-position (5.25" H, 6.0" D) hinged wall mount bracket	49251-W63
4-position (7.0" H, 6.0" D) hinged wall mount bracket	49251-W64



## Mounting Bracket for QuickPort® Snap-In Modules

For added flexibility, this mounting bracket enables the Distribution Panel to be custom configured by snapping in up to eight QuickPort modules (page B2). To consolidate audio and video applications, for example, QuickPort F-Connectors can be snapped into the panel, or, to connect a local area network, a Category 5 modular connector can be used.

Mounting Bracket for QuickPort® Snap-In Modules	
Description	Part Number
(A) Mounting bracket for QuickPort Snap-In Modules	
Individual polybag pack	47652-QP
Individual polybag pack, rack pack carton	47652-QPR

## Designation Labels

Identify the services coming to and from wall outlets, distribution panels and patch blocks with these attractive, yet non-permanent designation labels. Ten sheets of clear, self-adhesive labels per unit kit, 94 labels per sheet. Printed in black ink.

Designation Labels	
Description	Part Number
(B) Designation Labels	
Individual polybag pack, order in increments of 10	40740-BE

Phone-1	Security	Video-In	Antenna-In	Bedroom-2	Garage	Speaker-1	Speaker-4
Phone-1	Security	Video-In	Antenna-In	Bedroom-3	Den	Speaker-1	Speaker-4
Phone-1	Alarm	Video-In	CableTV-In	Bedroom-4	Den	Speaker-2	Speaker-5
Phone-2	Alarm	Video-In	CableTV-In	Bedroom-4	Family Room	Speaker-2	Speaker-5
Phone-2	Printer	Video-Out	CableTV-In	Office	TV-1 In	Speaker-3	Speaker-3
Phone-2	Printer	Video-Out	CableTV-Out	Office	TV-1 Out	IN	OUT
Phone-3	Fax	Video-Out	CableTV-Out	Living Room	TV-2 In	IN	OUT
Phone-3	Fax	Video-Out	CableTV-Out	Living Room	TV-2 Out	Audio Left-In	Audio Left-Out
Bedroom-1	Modem	Remote-In	Satellite-In	Kitchen	TV-3 In	Audio Left-In	Audio Left-Out
Bedroom-1	Modem	Remote-In	Satellite-In	Kitchen	TV-3 Out	Audio Right-In	Audio Right-Out
Bedroom-2	Modem	Remote-Out	Satellite-Out	Basement	VCR-In	Audio Right-In	Audio Right-Out
Bedroom-2	Garage	Remote-Out	Satellite-Out	Basement	VCR-Out	LEVITON	OX-57819

Actual label size:  
.625" x .1875"



### APPLICATION NOTE 110-type connections vs. 66-clip connections

Leviton recommends the use of products with 110-type connectors over those with 66-clips. However, many installers have different preferences, which is why Leviton offers some 66-clip products in addition to those with 110-type connectors.

66-clip blocks have been the standard for voice connections for many years. Although 66-clip blocks have been used for data, the 110 termination block may be a better choice. Both 66 and 110 blocks are insulation displacement connection (IDC) devices, which are key to reliable data connections. The 110-type connection offers: [A] higher density (more wiring in a smaller space) and [B] better control (less movement of the wires at the connection). Since more and more homes and small businesses are calling for both voice and data connections, it is easy to see why it makes sense to install 110-type devices in most situations.



## 110 Blocks

### Distribution Block with 110 Connectors

50-pair 110 distribution block can be used as a termination point for all high-density voice and data cabling applications, including Category 5 Power Sum. Kit includes an 89D bracket, port identification strips, and C-4 and C-5 connectors.

Distribution Block with 110 Connectors	
Description	Part Number
(C) Distribution Block with 110 Connectors	47690-110



A

## Category 5 Patch Cords

Leviton Category 5 patch cords are compliant with the latest standards, including TIA/EIA TSB-95, meeting and exceeding a full range of patching performance requirements. All have superior quality construction to maintain the integrity of signal transmission at the cross-connect, which is critical to the performance of the entire cabling system. They can be used to connect a number of SMC Modules, including the Decora Media System, 10Base-T Network Hub, and Category 5 Voice and Data Module.

Category 5 Patch Cords	
Description	Part Number
(A) 1 ft Patch Cord	
Individual polybag pack, white only	47620-1W
3 ft Patch Cord	
Individual polybag pack	52455-3*
Carded unit pack, rack pack carton, blue only	52454-3R
Individual polybag pack, white only	47620-3W
5 ft Patch Cord	
Individual polybag pack	52455-5*
7 ft Patch Cord	
Individual polybag pack	52455-7*
Carded unit pack, rack pack carton, blue only	52454-7R
15 ft Patch Cord	
Individual polybag pack	52455-15*
Carded unit pack, rack pack carton, blue only	52454-15R

\*Colors: white(W), red(R), yellow(Y), green(G), blue(L), grey(S), black(E)



B

## GigaMax™ Category 5e Patch Cords

Leviton GigaMax Category 5e patch cords meet the very latest TIA/EIA TSB-95 guidelines for supporting 1000Base-T gigabit applications. Superior quality guaranteed no-risk data transmission with soaring headroom over industry guidelines. They can be used to connect a number of SMC Modules, including the Decora Media System, 10Base-T Network Hub, and Category 5 Voice and Data Module.

Gigamax™ Category 5e Patch Cords	
Description	Part Numbers
(B) 3 ft Patch Cord	
Individual polybag pack	5G455-3*
Carded unit pack, rack pack carton, yellow only	5G454-3R
5 ft Patch Cord, Individual polybag pack	5G455-5*
7 ft Patch Cord	
Individual polybag pack	5G455-7*
Carded unit pack, rack pack carton, yellow only	5G454-7R
15 ft Patch Cord	
Individual polybag pack	5G455-15*
Carded unit pack, rack pack carton, yellow only	5G454-15R

\*Colors: white(W), red(R), yellow(Y), green(G), blue(L), grey(S), black(E)



C

## 4-Conductor Telephone Patch Cords

Flat cordage patch cord used to connect the Telephone Distribution Module to the Category 5 Voice and Data Board, providing a dial tone instantly to any room of the home, with easy adds, moves and changes.

4-Conductor Telephone Patch Cords	
Description	Part Number
(C) Flat Cordage Patch Cord, 7" long	42400-G

## 66-Clip Blocks (Numbers in parentheses refer to industry product designations)

### M Block: 25-pair (66M1-25)

25-pair M block contains 50 rows, each with a single clip having four slots. Incoming cable pairs ("tip" and "ring") are connected by terminating "tip" on the leftmost slot of one row and "ring" on the leftmost slot of the next lower row. The three remaining slots in each clip are available for cross-connects. Dimensions: 10"H x 3.31"W x 1.19"D.

M Block: 25 Pair (66M1-25)	
Description	Part Number
(A) M Block: 25-pair	40066-M25

### Split M Block: 50-pair (66M1-50)

Split M block, like the 25-pair M block, contains 50 rows of clips, but instead of one 4-slot clip, each row contains two separate 2-slot clips. By terminating 25 incoming pairs on the slots of the left-hand clips and an additional 25 pairs on the slots of the right-hand clips, 50 cross-connects can be made. To make or eliminate connections even faster, bridging clips may be used to connect the two adjacent sets of clips together. Dimensions: 10"H x 3.31"W x 1.19"D.

Split M Block: 50-pair (66M1-50)	
Description	Part Number
(B) Split M Block: 50-pair	
Bulk pack	40066-M50
*Individual polybag pack, rack pack carton	40066-M50

\*Customer should specify 3-digit SAN when ordering.

### Bridging Clips (SA-1)

Bridging clips press onto the two center slots in any row of a Split M block. If outside cable pairs are terminated on the left-hand clips and station equipment wire is terminated on the right-hand clips, then connections can quickly be made or eliminated by simply inserting or removing the bridging clips. They can also be used on other products that use 66 clips. Made of phosphor bronze alloy, these clips provide long-term conductivity in even the most hostile environments. Because of their durability, they can easily be removed and reused for rewiring.

Bridging Clips (SA-1)	
Description	Part Number
(C) Bridging Clips	
Bulk polybag pack, order in increments of 50	40067-BC
Bulk polybag pack, 50 clips per unit, rack pack carton	40067-CLP

### Snap-On Cover for M Blocks (66MC-4)

Durable cover snaps onto 25- and 50-pair M blocks to protect wiring from dust, dirt, and incidental shorting. Transparent plastic permits viewing of wiring and pair assignments. Dimensions: 9.94"H x 2.31"W x .31"D.

Snap-On Cover for M Blocks (66MC-4)	
Description	Part Number
(D) Snap-On Cover for M Blocks	40050-MCV

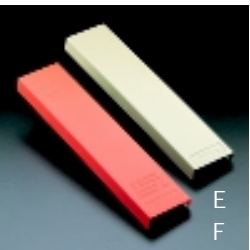
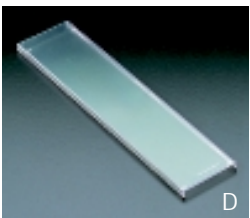
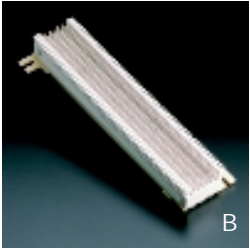
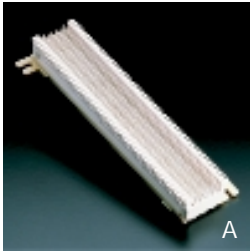
### Hinged Cover for Demarc Blocks (66MC4LH-0)

Orange-colored cover allows the easy identification of the network demarcation point. It snaps onto the right side fanning strip of 25- and 50-pair M blocks to protect wiring from dust, dirt and incidental shorting. Allows wires to be routed from both the left and right sides. Designation strip included on inside for recording pair assignments. Dimensions: 10"H x 2.44"W x .75"D.

### Hinged Cover for M Blocks (66MC4LH-G)

Snaps onto the right side fanning strip of 25- and 50-pair M blocks to protect wiring from dust, dirt and incidental shorting. Allows wires to be routed from both left and right sides with inside designation strip included for recording pair assignments. Dimensions: 10"H x 2.44"W x .75"D.

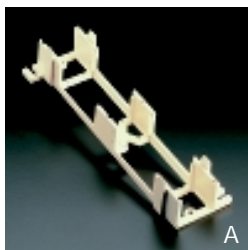
Hinged Covers	
Description	Part Number
(E) Hinged Cover for M Blocks (grey)	40050-MHG
(F) Hinged Cover for Demarc Blocks (orange)	40050-MHO



## 66-Clip Block Accessories

### M Block Bracket for Jack/Connector Mounting Type 89D

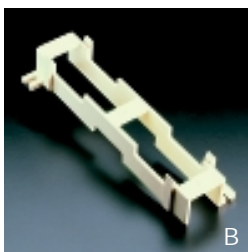
Standoff mounting bracket for 25- and 50-pair M blocks is open at top and bottom so that installers may mount bracket and lay cable, then install connecting blocks easily at a later date. Dimensions: 10"H x 3.46"W x 1.5"D.



M Block Bracket for Jack/Connector Mounting Type 89D	
Description	Part Number
(A) M Block Bracket for Jack/Connector Mounting Type 89D	
Individual polybag pack	40089-D
Individual poly bag pack, rack pack carton	40089-DBR

### Standoff Mounting Bracket for M Blocks Type 89B

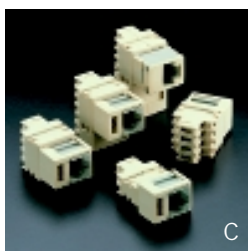
Standoff mounting bracket for 25- and 50-pair M blocks is open at top and bottom so that installers may lay cable and mount bracket, then install connecting blocks easily at a later date. Dimensions: 10"H x 3.41"W x 1.5"D.



Standoff Mounting Bracket for M Blocks Type 89B	
Description	Part Number
(B) Standoff Mounting Bracket for M Blocks Type 89B	40089-B

### Modular Adapters

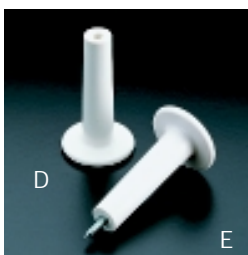
Plug into M blocks to convert 66-clip contacts to a modular jack for quick connection of equipment. These products are typically used for testing and temporary connections.



Modular Adapters		
Description	Application	Part Number
(C) 2-position modular adapter	Converts two 66-clip contacts into a 6-position, 2-conductor modular jack.	40072-T2 (Tap™-2)
4-position modular adapter	Converts four contacts into a 6-position, 4-conductor modular jack.	40072-T4 (Tap™-4)
6-position modular adapter	Converts six contacts into a 6-position, 6 conductor modular jack.	40072-T6 (Tap™-6)
8-position modular adapter T568B wiring	Converts eight contacts into an 8-position, 8-conductor non-keyed modular jack.	40072-T8 (Tap™-8)

### Wire Distribution Spools

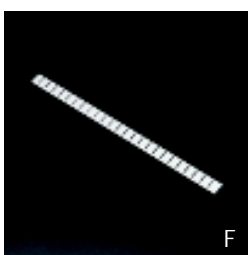
Facilitate routing and fanning of cable, cross-connections, and jumper wires to any connection apparatus. Mount conveniently on backboard of distribution frame. Dimensions: 1.75" Dia. X 3" H.



Wire Distribution Spools	
Description	Part Number
(D) Distribution Spool without captive screw (20-A)	40054-DS
(E) Distribution Spool with captive screw (20-B)	40054-DSS

### Designation Strip for M Blocks (D-10)

Strip snaps onto fanning strips of M blocks to identify pair assignments.



Designation Strip for M Blocks (D-10)	
Description	Part Number
(F) Designation Strip for M Blocks	40056-DSM

## Decora Media™ System (Available Soon)

Distribute Audio and Video signals anywhere in the home using Category 5 Cable and Leviton's Decora Media System (DMS). Send music, VCR, DVD, cable TV, satellite and security camera signals through up to 1,000 feet (300 meters) of cable with no audio or video distortion, and better performance than the more expensive, specialized "designer" cables.

DMS is comprised of: a Send Unit for transmitting audio/video signals, a Receive Unit for receiving signals, and a Media Hub for whole house distribution.

The DMS utilizes advanced active electronics to operate with several different topologies: a computer networking scheme, with peripheral components sending and receiving critical information via Send and Receive units and the centralized data-communications hub; a Hub-to-Receive model, where information is sent to the hub—and from the hub to remote Receive units; and a Point-to-Point model, where Send and Receive units are linked directly together.

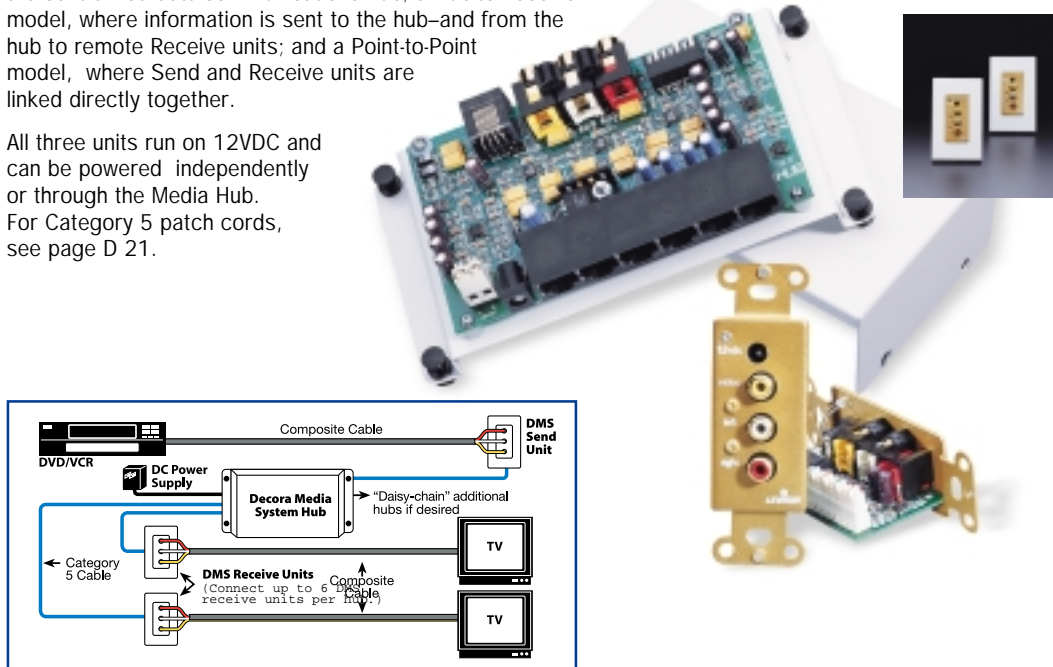
All three units run on 12VDC and can be powered independently or through the Media Hub. For Category 5 patch cords, see page D 21.

### FEATURES

- Panel can be attached vertically or horizontally in SMC Enclosures.
- "Daisy-chain" hub units to distribute audio/video signals to over 20 locations.
- Send and Receive units are equipped with RJ-45 jacks and 110 punchdown blocks for maximum flexibility in installation.
- RCA inputs for connectivity directly from A/V source.
- Use a simple, point-to-point configuration, or an advanced network hub-style configuration.
- Units fit standard wallboxes and Decora wallplates.
- Advanced circuitry with automatic equalization streams analog audio and video signals over long distances with less distortion.
- Stereo audio input/output handles Dolby® ProLogic™ surround signals.
- Send music, VCR, DVD, cable TV, satellite and security camera signals through Category 5 (or better) cable.
- RJ-45 input from send unit or security camera.

For more information on availability, call Leviton

Customer Service at 1-800-323-8920.



Decora Media System			
Specifications	Send Unit	Receive Unit	Media Hub
Video Bandwidth:	50 M Hz @ -3 dB	50 M Hz @ -3 dB	50 M Hz @ -3 dB
Video THD:	75 dBc	-75 dBc	-75 dBc
Video Input:	-	0.5V to 2V composite	0.5V to 2V composite
Video Output:	0.5V to 2V composite	-	-
Slew Rate:	800/Vus	800/Vus	800/Vus
Audio Input Impedance:	-	20k Ohms, max 3Vp-p	20k Ohms, max 3Vp-p
Audio Output Impedance:	51 Ohms, max 2Vp-p	-	-
Audio Freq. Response:	5 Hz-100k Hz, ±3 dB	5 Hz-100k Hz, ±3 dB	5 Hz-100k Hz, ±3 dB
Audio THD:	0.002% 20 Hz-20k Hz	0.004% 20 Hz-20k Hz	0.002% 20 Hz-20k Hz
Audio S/N Ratio:	100 dB typical, 80 dB min 20 Hz-20k Hz	100 dB typical, 80 dB min 20 Hz-20k Hz	100 dB typical, 80 dB min 20 Hz-20k Hz
Input Noise:	4.5nV/( Hz), 1/2 typical @ 1k Hz	6nV/( Hz), 1/2 typical @ 1k Hz	4.5nV/( Hz), 1/2 typical @ 1k Hz
Input and Outputs	3 RCA input jacks 1 set RJ-45 in/out jacks 1 110 punchdown out 1 DC power input	3 RCA output jacks 1 set RJ-45 in/out jacks 1 110 punchdown out 1 DC power input	3 RCA input jacks 1 RJ-45 input jack 6 RJ-45 output jacks 1 DC power input
Power:	12VDC	12VDC	12VDC
Dimensions:	4.1" x 1.4" x 2.0"	4.1" x 1.4" x 2.0"	6.5" x 3.4" x 1.75"
Decora Media System			
Description	Part Number		
Decora Media System Media Hub with Power Supply	48210-MCH		
Decora Media System Send and Receive Unit Pair with Power Supply	48210-SRU		
Decora Media System Send Unit with Power Supply	48210-MSU		
Decora Media System Receive Unit	48210-MRU		



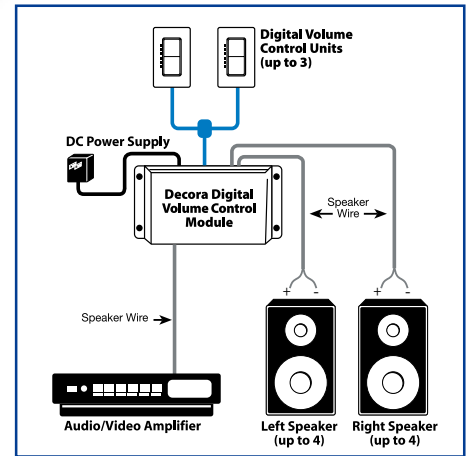
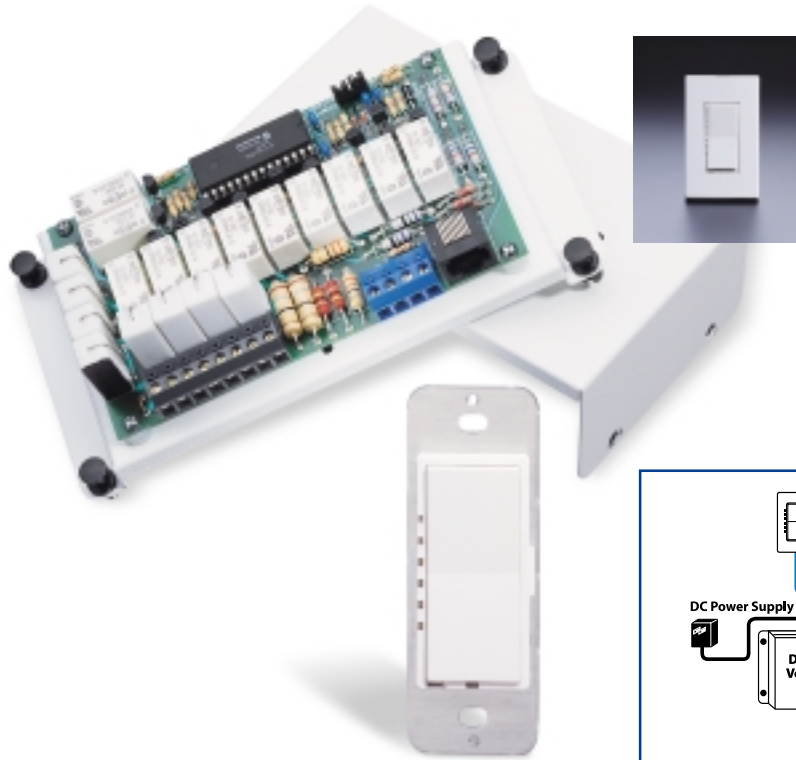
## Digital Volume Control (Available Soon)

### Decora Digital™ Chopin™ Volume Control

Fill your home with high-quality audio at the touch of a button. Replace traditional transformers and rotary controls with this advanced interface module and one-touch Decora Chopin™ rocker-switch wall unit. Attractive Decora styling and transformer-less design bring simplicity and superior sound-quality to this advanced audio delivery system. Ideal for controlling up to 2 pairs of speakers with up to 3 wall units in a variety of configurations, the Volume Control mounts in a standard wall box or low-voltage mounting bracket and connects via Category 5 cable to the Interface Module in your SMC. Decora Chopin Wall units are a perfect match with Decora Mural™ lighting controls and fit in all Decora wallplates.

#### FEATURES

- Connects to Interface Module with a single RJ-45 connections. No direct speaker/amplifier connections required at the controller.
- Transformer-less; uses aerospace-quality cermet resistors for proper heat dissipation and superior performance.
- Microprocessor-controlled relays for silent switching.
- Provides impedance matching with speakers from 4-16 Ohms.
- Terminate all amplifier and speaker connections using high-spec audio monoblock.
- Digital, transformer-free design.
- Up to three volume controls can be connected to interface module, controlling up to 2 pairs of speakers.



Decora Digital Volume Control System Specifications	
Peak RMS Power Rating:	200 Watts per channel
Continuous Power Rating:	100 Watts RMS per channel
Frequency Response, all rated power levels, +/-0.1 dB:	DC-50,000 Hz
Speaker Impedance:	4-16 Ohms nominal
Speaker/Amplifier Connection:	Removable, snap-in audio monoblock w/screw terminals
Power Requirements:	15 Volts DC, 200 mA

For more information on availability, call Leviton Customer Service at 1-800-323-8920.

Decora Digital Volume Control System	
Description	Part Number
Decora Digital Volume Control Kit (Includes Interface Module and Wall Unit with Power Supply)	48211-*VK
Decora Digital Volume Control Wall Unit	48211-*VC

\*Colors: (I) Ivory, (W) White, (A) Almond